

## GJ42C

### PNP EPITAXIAL PLANAR TRANSISTOR

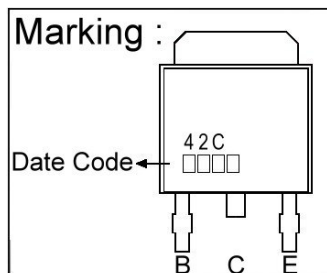
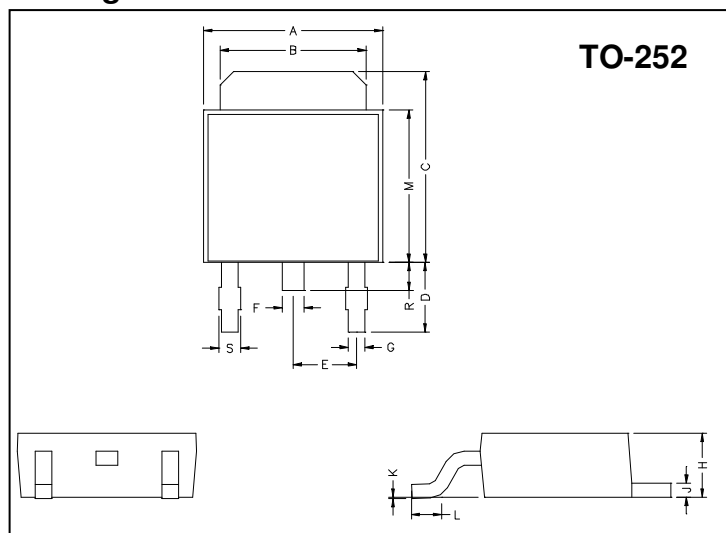
#### Description

The GJ42C is designed for use in general purpose amplifier and switching applications.

#### Features

\*Complementary to GJ41C

#### Package Dimensions



REF.	Millimeter		REF.	Millimeter	
	Min.	Max.		Min.	Max.
A	6.40	6.80	G	0.50	0.70
B	5.20	5.50	H	2.20	2.40
C	6.80	7.20	J	0.45	0.55
D	2.40	3.00	K	0	0.15
E	2.30 REF.		L	0.90	1.50
F	0.70	0.90	M	5.40	5.80
S	0.60	0.90	R	0.80	1.20

#### Absolute Maximum Ratings (Ta = 25°C, unless otherwise specified)

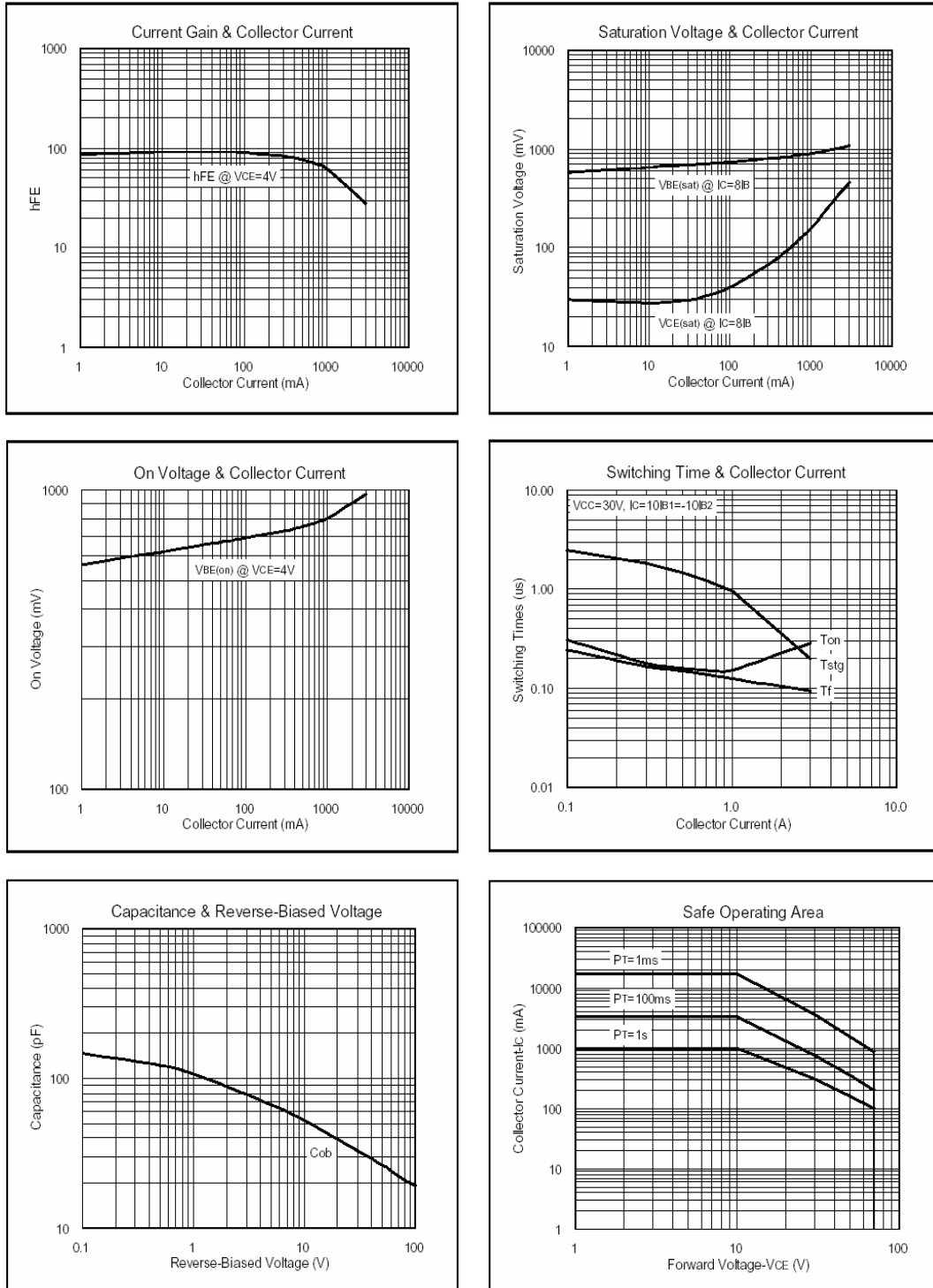
Parameter	Symbol	Ratings	Unit
Collector to Base Voltage	V <sub>CBO</sub>	-100	V
Collector to Emitter Voltage	V <sub>CEO</sub>	-100	V
Emitter to Base Voltage	V <sub>EBO</sub>	-5	V
Collector Current (DC)	I <sub>C</sub>	-6	A
Collector Current (Pulse)	I <sub>C</sub>	-10	A
Junction Temperature	T <sub>j</sub>	+150	°C
Storage Temperature	T <sub>STG</sub>	-55 ~ +150	°C
Total Power Dissipation	P <sub>D</sub>	2	W
	P <sub>D</sub> (T <sub>C</sub> =25°C)	20	W

#### Electrical Characteristics (Rating at Ta=25°C)

Symbol	Min.	Typ.	Max.	Unit	Test Conditions
V <sub>CBO</sub>	-100	-	-	V	I <sub>C</sub> =-1mA, I <sub>E</sub> =0
*V <sub>CEO</sub>	-100	-	-	V	I <sub>C</sub> =-30mA, I <sub>B</sub> =0
V <sub>EBO</sub>	-5	-	-	V	I <sub>E</sub> =-100uA, I <sub>C</sub> =0
I <sub>CES</sub>	-	-	-10	uA	V <sub>CE</sub> =-100V, V <sub>EB</sub> =0V
I <sub>CEO</sub>	-	-	-50	uA	V <sub>CE</sub> =-60V, I <sub>B</sub> =0
I <sub>EBO</sub>	-	-	-500	uA	V <sub>EB</sub> =-5V, I <sub>C</sub> =0
*V <sub>CE(sat)</sub>	-	-	-1.5	V	I <sub>C</sub> =-6A, I <sub>B</sub> =-600mA
*V <sub>BE(on)</sub>	-	-	-2.0	V	V <sub>CE</sub> =-4V, I <sub>C</sub> =-6A
*h <sub>FE1</sub>	30	-	-		V <sub>CE</sub> =-4V, I <sub>C</sub> =-300mA
*h <sub>FE2</sub>	15	-	75		V <sub>CE</sub> =-4V, I <sub>C</sub> =-3A
f <sub>T</sub>	3	-	-	MHz	V <sub>CE</sub> =-10V, I <sub>C</sub> =-500mA, f=1MHz

\* Pulse Test: Pulse Width ≤ 380μs, Duty Cycle ≤ 2%

## Characteristics Curve



**Important Notice:**

- All rights are reserved. Reproduction in whole or in part is prohibited without the prior written approval of GTM.
- GTM reserves the right to make changes to its products without notice.
- GTM semiconductor products are not warranted to be suitable for use in life-support Applications, or systems.
- GTM assumes no liability for any consequence of customer product design, infringement of patents, or application assistance.

**Head Office And Factory:**

- **Taiwan:** No. 17-1 Tatung Rd. Fu Kou Hsin-Chu Industrial Park, Hsin-Chu, Taiwan, R. O. C.  
 TEL : 886-3-597-7061 FAX : 886-3-597-9220, 597-0785
- **China:** (201203) No.255, Jang-Jiang Tsai-Lueng RD. , Pu-Dung-Hsin District, Shang-Hai City, China  
 TEL : 86-21-5895-7671 FAX : 86-21-38950165